

RESTRICTED
August 44



POCKET NOTES
ON THE
JAPANESE ARMY

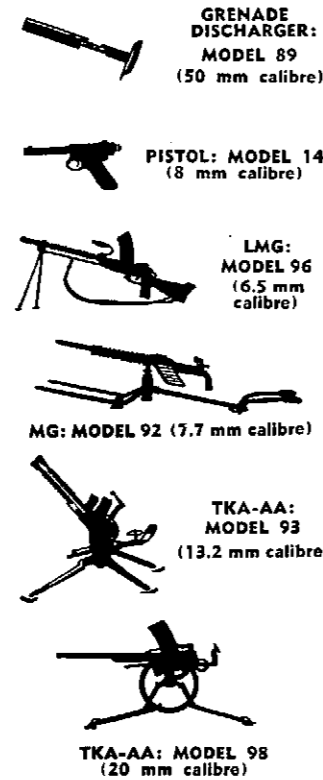
ORGANIZATION
AND
EQUIPMENT



General Staff Intelligence
Advanced Land Headquarters SWPA

NOTES ON JAPANESE WEAPONS

SOME FREQUENTLY ENCOUNTERED WEAPONS (NOT TO SCALE)



GRENADE DISCHARGER:
MODEL 89
(50 mm calibre)

PISTOL: MODEL 14
(8 mm calibre)

LMG: MODEL 96
(6.5 mm calibre)

MG: MODEL 92 (7.7 mm calibre)

TKA-AA: MODEL 93
(13.2 mm calibre)

TKA-AA: MODEL 98
(20 mm calibre)

JAPANESE MLC'S DAIHATSU (Army) Large MLC



Length	40-50 ft
Width	66-7 ft
Height	12 ft (approx)
Speed	2-3 ft
Power	6 cyl diesel or gasoline
Capacity	9-12 knots
Personnel	50-100 personnel
Protection	Engine and coxswain's shield
Armament	2 MG's or 1 37 mm field piece
Other	8 toris

This craft has been used considerably in the SWPA, but may be replaced by a more recent craft TOKU DAHATSU which is similar in appearance but has an overall length of 65 ft.

SHOHATSU (Small Type)



Length	30-35 ft
Width	5-6 ft
Height	6-9 ft
Power	1-60 hp diesel or gasoline
Speed	8-10 knots
Capacity	30 personnel or 3 1/2 tons
Protection	Poss. shield in bow
Armament	1-7.7 mm MG in bow
Other	3 to 4 tons (approx)

YAMMASSEN (Sampan) Cargo Type Barge



Length	52 ft
Width	13 ft 3 in
Power	Gasoline
Speed	8 knots
Capacity	50 personnel
Protection	Nil
Armament	Nil
Construction	Wood

The straight jutting prow observed in earlier types appears to have been abandoned in favour of a curved bow, apparently making this craft more seaworthy and better able to withstand beaching impact.

PISTOLS

- (a) **MODEL 26 (1893):** Calibre 9 mm (.354 in); capacity 6 rounds. A copy of the old Smith and Wesson top break revolver.
- (b) **MODEL "NAMBU":** Calibre 8 mm (.315 in); capacity 8 rounds; MV 950 fps. Semi-automatic, fitted with adjustable rear sight.
- (c) **MODEL 14 (1925):** Calibre 8 mm (.315 in); capacity 8 rounds; MV 950 fps. Semi-automatic. A development of the "NAMBU." Fixed rear sight. Identified by a large trigger guard.
- (d) **MODEL 94 (1934):** Calibre 8 mm (.315 in); capacity 6 rounds; MV 900 fps. Latest design of Japanese semi-automatic.

RIFLES

- (a) **MODEL 38 (1905):** Calibre 6.5 mm (.256 in); capacity 5 rounds; MV 2400 fps. Standard Japanese rifle; made in three lengths viz, 50 1/2 in, 44 1/2 in, 38 in, respectively. Estimated maximum effective range 500 yds.
- (b) **MODEL 44 (1911):** Calibre 6.5 mm (.256 in); capacity 5 rounds; MV 2400 fps; length 38 1/2 in. A cavalry carbine with permanently attached hinged bayonet. Estimated maximum effective range 500 yds.
- (c) **MODEL 99 (1939):** Calibre 7.7 mm (.303 in); capacity 5 rounds; length 44 in. Replacing the Model 38. Estimated maximum effective range 800 yds.
- (d) **"SNIPER'S":** Two patterns exist, both have telescopic sights: Model 97 (1937); calibre 6.5 mm (.256 in). Model 99 (1939); calibre 7.7 mm (.303 in).

SMG

"SOLOTHURN": Calibre 7.63 mm (.30 in); capacity 30 rounds; weight 9 1/2 lb; rate of fire 700 rpm. Captured Allied SMG's have also been encountered. Estimated maximum effective range 200-250 yds.

MG's

- (a) **MODEL 11 (1922):** Calibre 6.5 mm (.256 in); capacity 30 rounds; weight 22 1/2 lb; cyclic rate of fire 500 rpm. A gas operated, air cooled, bipod mounted, hopper fed weapon. Sights 200-1500 metres (219-1641 yds).
- (b) **MODEL 96 (1936):** Calibre 6.5 mm (.256 in); capacity 30 rounds; weight 21 lb; cyclic rate of fire 530 rpm; MV 2410 fps. Resembles British "Bren." Sights 200-1600 metres (219-1750 yds).
- (c) **MODEL 99 (1939):** Calibre 7.7 mm (.303 in); capacity 30 rounds; weight 23 lb; cyclic rate of fire 800 rpm; MV 2300 fps. Similar to Model 96. Sights 300-1600 metres (219-1750 yds).
- (d) **MODEL 92 (1932):** Calibre 7.7 mm (.303 in); capacity 30 rounds on strip; cyclic rate of fire 450 rpm; MV 2400 fps. Gas operated, air cooled, tripod mounted, classified by Japanese as HMG. Total weight 130 lb. Sights 300-2700 metres (328-2954 yds).

GRENADE DISCHARGERS

- (a) **MODEL 10 (1921):** Calibre 50 mm (1.97 in); weight 5 1/2 lb. A smooth bore weapon firing Model 91 (1931) HE Grenade and Model 10 flares. Range: with HE Grenade 175 yds; with flares 220 yds.
- (b) **MODEL 89 (1929):** Calibre 50 mm (1.97 in); weight 10 lb. A rifled barrel weapon firing Model 89 HE Grenade, Model 91 HE Grenade and flares. Range: Model 89 Grenades, 730 yds; Model 91 Grenades 210 yds.
- (c) **MODEL 98 (1938):** Calibre 50 mm (1.97 in); weight 50 lb; range 440 yds. Actually a spigot mortar, with fixed elevation and a limited traverse. Fires a stick bomb weighing 14 lb. Also fires a Bangalore Torpedo 570 yds (approx).

MORTARS

- (a) **"BARRAGE":** Calibre 70 mm (2.76 in). Consists of a smooth bore barrel, base block and spike. Used against low flying aircraft. Projectile reaches approximately 4000 ft and expells small parachute supported explosives.
- (b) **MODEL 97 (1937):** Calibre 81 mm (3.19 in); weight 145 lb; range 3000 yds with a 7 lb bomb.
- (c) **MODEL 99 (1939):** Calibre 81 mm (3.19 in); weight 52 lb; range 2200 yds with 7 lb bomb similar to that used in Model 97.
- (d) **MODEL 94 (1934):** Calibre 90 mm (3.54 in); weight 340 lb; range 4000 yds. Readily identified by recuperator system. Weight of bomb 11 lb 9 oz.
- (e) **MODEL 97 (1937):** Calibre 90 mm (3.54 in); weight 230 lb. A version of the Model 94, without recuperators. Weight of bomb 11 lb 9 oz.

TK A GUNS

- (a) **MODEL 97 (1937):** Calibre 20 mm (.79 in); weight 150 lb; capacity 7 rounds; MV 2500 fps. An air cooled, gas operated automatic rifle. Sights 0-1000 metres (1094 yds).
- (b) **MODEL 94 (1934):** Calibre 37 mm (1.46 in); weight 820 lb; MV 2300 fps; rate of fire 25 rpm; maximum range 5000 yds. Weight of shell: HE 1 lb 10 oz; AP 1 lb 12 oz.
- (c) **MODEL 97 (1937):** Calibre 37 mm (1.46 in). This weapon is of German manufacture. Identified by tubular split trail. Weight of shell: HE 1 lb 10 oz; AP 1 lb 12 oz.
- (d) **MODEL 1 (1941):** Calibre 47 mm (1.85 in); weight 1660 lb; MV 2700 fps. Mounted on rubber tyres. Weight of shell: AP/HE 3 lb 6 oz; HE 3 lb.

DUAL PURPOSE (TK A-AA)

- (a) **MODEL 93 (1933):** Calibre 13.2 mm (.52 in); weight of gun 87 lb; capacity 30 rounds; cyclic rate of fire 450 rpm; MV 2250 fps. An air cooled, gas operated HMG. Single and dual units are mounted on heavy tripods. Maximum effective horizontal and vertical ranges estimated 3500 yds and 6000 ft.
- (b) **MODEL 98 (1938):** Calibre 20 mm (.79 in); total weight 830 lb; capacity 20 rounds; rate of fire 120 rpm; MV 2700 fps; maximum range: horizontal 6000 yds, vertical 12000 ft. An air cooled, gas operated, automatic weapon. Mounted on wheeled carriage.
- (c) **MODEL 96 (1936):** Calibre 25 mm (.984 in); capacity 15 rounds; weight of gun 246 lb; cyclic rate of fire 210 rpm; MV 2900 fps. Estimated vertical range 14000 ft. An air cooled, gas operated, automatic naval weapon. Single, double and triple units on heavy mountings. Weight of shell 1 lb 7 oz.

INFANTRY GUNS

- (a) **MODEL 92 (1932):** Calibre 70 mm (2.76 in); weight 460 lb; maximum range 3000 yds. A miniature howitzer. Normally issued 2 guns per Infantry Battalion. Weight of HE shell 8 lb 7 oz.
- (b) **MODEL 41 (1908):** Calibre 75 mm (2.95 in); weight 1200 lb; maximum range 7800 yds; MV 1250 fps. Weight of shell: HE 15 lb, AP 17 1/2 lb; also fires Shrapnel, Incendiary and Hollow Charge projectiles. Previously the old Mountain Gun. Now issued 4 guns per Infantry Regiment.

ARTILLERY

75 mm (2.95 in) Calibre

- (a) **MODEL 38 (1905):** Weight 2080 lb; elevation 16°; depression 8°; traverse 7°; range 9000 yds. Early weapon of Divisional Artillery. Several models are known to exist.
- (b) **MODEL 38 (1905) Improved:** Weight 2450 lb; elevation 43°; depression 8°; traverse 7°; range 12500 yds. Improved version of Model 38.
- (c) **MODEL 90 (1930):** Weight 3300 lb; elevation 43°; depression 8°; traverse 43°; MV 2230 fps; range 16250 yds. Modern weapon of Divisional Artillery. Mounted on pneumatic and iron shod wheels.
- (d) **MODEL 94 (1934):** Weight 1200 lb; elevation 45°; depression 10°; traverse 45°; range 8750 yds. Modern Mountain Gun.
- (e) **MODEL 95 (1935):** Weight 1570 lb; elevation 43°; depression 8°; traverse 50°; range 12000 yds.

105 mm (4.13 in) Calibre

- (a) **MODEL 91 (1931):** Weight 4250 lb; elevation 45°; depression 7°; traverse 45°; MV 1790 fps; range 11500 yds. This howitzer may be readily identified by the short barrel and long sleigh.
- (b) **MODEL 92 (1932):** Weight 6600 lb; elevation 48°; depression 10°; traverse 30°; MV 2500 fps; range 20000 yds. This gun is easily recognised by its long slender barrel and trail.

150 mm (5.9 in) Calibre

- (a) **MODEL 4 (1915):** Weight 6100 lb; elevation 65°; depression 5°; traverse 6°; MV 1350 fps; range 7500 yds. Old type howitzer.
- (b) **MODEL 89 (1929):** Weight 16500 lb; range 22000 yds. Designated by Japanese as a heavy field gun.
- (c) **MODEL 96 (1936):** Weight 8765 lb; elevation 75°; depression 7°; traverse 30°; range 11000 yds. A modern howitzer.

ANTI-AIRCRAFT

- (a) **MODEL 88 (1928):** Calibre 75 mm (2.95 in); weight 5830 lb; elevation 85°; traverse 360°; MV 2360 fps; range: vertical 30000 ft, horizontal 15000 yds. Standard Army heavy mobile AA gun. Weight of shell 19 lb 13 oz.
- (b) **MODEL 14 (1925):** Calibre 105 mm (4.13 in); weight 7 tons; elevation 85°; traverse 360°; MV 2300 fps; range: vertical 36000 ft, horizontal 20000 yds. Heaviest known mobile AA weapon. Probably improved version now in use.

NAVAL GUNS (Coast Defence)

- (a) **MODEL 10 (1921):** Calibre 76.2 mm (3 in); elevation 75°; depression 5°; traverse 360°; MV 2240 fps; range 26000 ft. Readily identified by the unusually long recoil cylinder on top of barrel.
- (b) **MODEL 3 (1914):** Calibre 120 mm (4.72 in); elevation 55°; depression 5°; traverse 360°; MV 2700 fps; range 17500 yds.
- (c) **MODEL 3 (1914):** Calibre 140 mm (5.5 in); elevation 30°; depression 7°; traverse 360°; MV 2780 fps; range 18700 yds.

JAPANESE ARMoured FIGHTING VEHICLES

 TANKETTE M2592 (1932) Armour .24-.55 in Armament 1-7.7 mm MG Weight 3 tons (approx)	 LIGHT TANK M2595 (1935) Armour .24-.47 in Armament 1-37 mm gun 2-7.7 mm MG's Weight 9 tons (laden)	 MEDIUM TANK M2597 (1937) IMPROVED* Armour .32-.98 in* Armament 1-47 mm gun 2-7.7 mm MG's Weight 13-15 tons*
 TANKETTE M2597 (1937) Armour .16-.47 in Armament 1-37 mm gun Weight 4 tons (approx)	 MEDIUM TANK M2597 (1937) Armour .32-.98 in Armament 1-57 mm gun 2-7.7 mm MG's Weight 15 tons (laden)	 AMPHIBIOUS TANK (New Type) Armour .24-.52 in Armament 1-37 mm gun 2-7.7 mm MG's Weight 13 tons (without pontoons)*

* Estimated only

NORMAL ORGANIZATION OF A JAPANESE "STANDARD" DIVISION

DIV HQ (360)

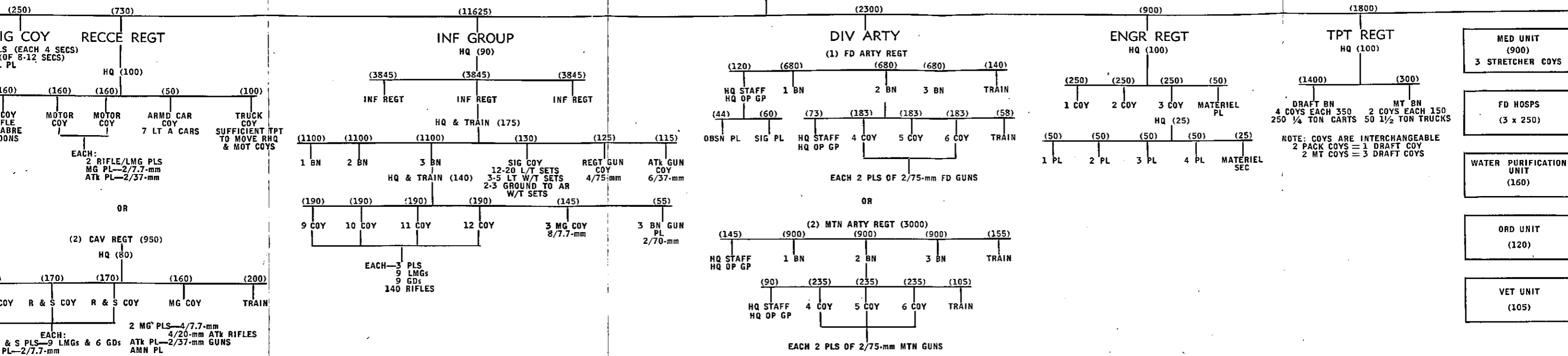


TABLE OF PERSONNEL AND WEAPONS OF A JAPANESE "STANDARD" DIVISION

Units	Unit Commander	Personnel		Horses	Rifles	LMG	GD	MG	Machine Cannon or 20-mm ATk Rifle	37-mm or 47-mm ATk Gun	70-mm Bn Gun	75-mm Regt'l Gun	75-mm Fd or Mtn Gun	Tkette or A Car
		Estab-lish	Opera-tion											
Division Headquarters	Lt.-Gen.	360	300	(160)	(180)	(4)	()							
Division Signal Unit	Capt.	250	220	40	(100)		()							
Division Group Headquarters	Maj.-Gen.	90	70	18	()	()								
Division Regiments, each 3,845	Col.	11,535	9,000	2,130	6,398	(336)	324	72 (108)		18	18	12		
Division Field Artillery Regiment	Lt.-Col.	2,300	2,000	2,000	(450)	(12)							36	
Division Reconnaissance Regiment	Lt.-Col.	730	650	(188)	(260)	28	16	4		4				7
Division Engineer Regiment	Lt.-Col.	900	750	(150)	(700)	(10)	3							
Division Medical Unit	Lt.-Col. (Inf.)	900	750	(110)	()	()								
Field Hospitals	Maj. (Med.)	750	690	()	()	()								
Division Water Purification Unit	Maj. (Med.)	160	90	()	()	()								
Division Transport Regiment	Lt.-Col.	1,800	1,400	(1,300)	()	(10)								
Division Ordnance Unit	Capt.	120	40	()	()	()								
Division Veterinary Unit	Maj.	105	40	()	()	()								
Total		20,000	16,000	(7,500)	(9,000)	(400)	(343)	76 (112)		22	18	12	36	7
ALTERNATIVES														
Division Mountain Arty Regiment		3,000		(1,400)	(450)	(12)							36	
Division Cavalry Regiment		950	900	(1,100)	(500)	28	18	10	4	2				
Division Group Tankette Unit		100		()	()	()	()							10-17

NOTES: 1. Figures in parentheses are interpolations.
 2. Parentheses only indicate presence but insufficient evidence is available to estimate a figure.
 3. The figure of 108 MGs shown in brackets for the three Infantry Regiments assumes the presence of a 12 gun Company.
 4. Mortars (81-mm or 90-mm) may be found attached to the Infantry Regiments.

STRENGTH TABLE OF OTHER JAPANESE UNITS

FORMATIONS	ANTI TANK ARTILLERY	TRANSPORT
Tank Division 11200	Indep ATk Gun Bn 18/37-mm Guns .. 500	Indep Tpt Regt (Horse) 300
Tank Group 3500	Indep ATk Gun Coy 6/37-mm Guns .. 150	Indep Tpt Bn (Horse) 150
Cavalry Group 12000	Indep ATk Gun Coy 8/37-mm Guns .. 200	Indep Tpt Coy (Horse) 26
Cavalry Brigade 5600		Indep MT Regt 150
Indep Inf Gp 11000		Indep MT Bn 80
Indep Inf Bde 4900		Indep MT Coy 23
Indep Mixed Bde 7500		L of C MT Coy 17
Indep Mixed Regt 4000		L of C Tpt Coy (Horse) 20
Indep Inf Regt 3800		L of C Tpt Unit (4-6 HT Coys) .. 120
Amphibious Bde 3940		
		SHIPPING
		Shipping HQ 11
		Shipping Gp HQ 11
		Shipping Tpt Comd (HQ) 9
		Anchorage HQ 6
		Debarcation Unit 130
		Land Duty Coy 50
		Water Duty Coy 50
		Constr Duty Coy 40
		Sea Tpt Bn 850-1800
		Mobile Shipping Repair Squad .. 7
		Shipping Arty Regt 230
		Shipping Engr Regt 110
		Shipping Sig Regt 63
		L OF C
		L of C Sector Unit 166
		L of C HQ 16
		L of C Garrison Unit 100
		L of C Duty Coy 50
		AIR
		Airfield Bn 45
		Airfield Coy 20
		Air Sig Regt 134
		Air Sig Unit 32
		Air Intelligence Unit 43
		Air Navigation Aid Unit 35
		NAVY
		Naval Air Defence Unit 38
		Special Naval Landing Party 600-2000